

Premier Elite Speech Module

INSTALLATION INSTRUCTIONS

Texecom

INS656-2

Introduction

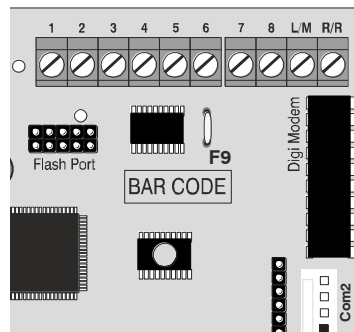
The **Premier Elite Speech Module** provides four recordable 10 second audio messages, each message is assigned to a Digi Channel, which in turn can be triggered from one of the many output functions of the control panel. A COM2400 must be installed to enable the **Premier Elite Speech Module**, it will not function with a COM300. Only the first four Digi Channels are used by the **Premier Elite Speech Module**. The **Premier Elite Speech Module** is supported by the following Texecom control panels:

- Premier Elite all models factory built V3 and later, all models fitted with a DTMF decoder.

NOTE If the Speech Module is fitted to a V3 panel that does not have the DTMF decoder chip fitted, it may not be possible to acknowledge the received calls. This will result in repeated calls until all programmed dial attempts have been used..

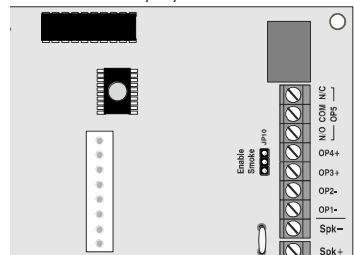
Hardware Identification

Premier Elite 24



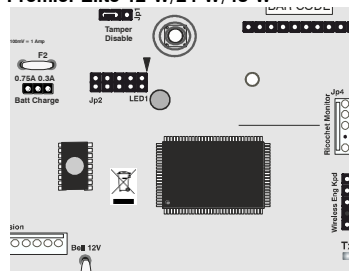
The DTMF chip is located below the Barcode label and is identified with a green dot.

Premier Elite 48/88/168 & 640



The DTMF chip is located just below the digi pins and is identified with a green dot.

Premier Elite 12-W/24-W/48-W



The DTMF chip is located to the left of the main processor and is identified with a green dot.

PCB Layout and Connections

The figure below shows the PCB layout of the **Premier Elite Speech Module**.

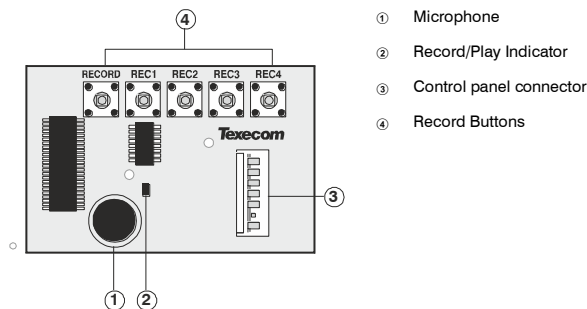


Figure 1. Premier Elite Speech Module PCB Layout

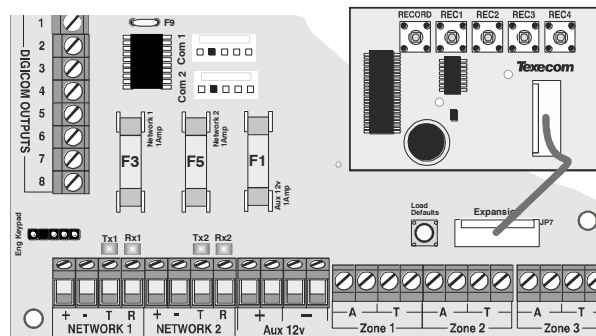


Figure 2. Premier Elite Speech Module Connected to Expansion Port on PCB

Premier Elite Speech Module Installation

To install the **Premier Elite Speech Module** proceed as follows:

Ensure that all power is removed from the control panel before connecting the **Premier Elite Speech Module**.

Plug the **Premier Elite Speech Module** (see Figure 2) onto the 7 way Expansion Port of the control panel.

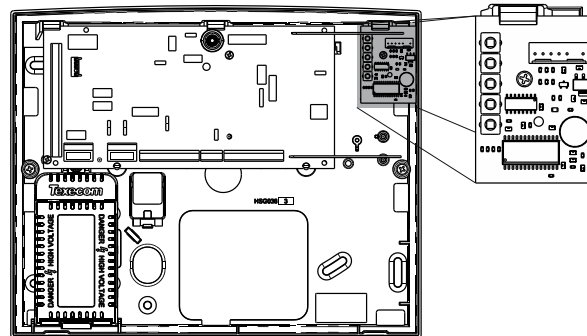
Plug the COM2400 onto the onboard digi pins, and connect to a telephone line. When using an RJ11 plug, this should be connected before the COM2400 is fitted in place.

Re-apply power to the system and proceed to the next section.

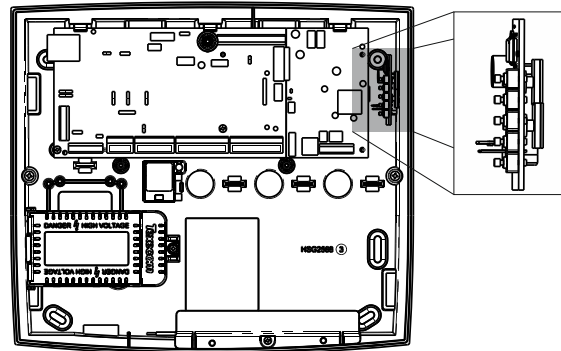
Premier Elite Speech Module Locations

Use the self-adhesive mounting posts to locate the **Speech Module** as shown.

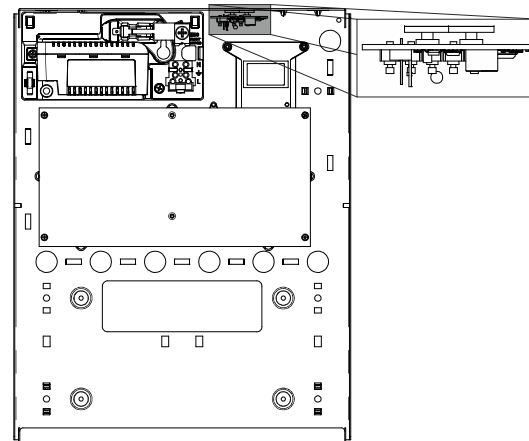
Premier Elite Small Polymer Housing (e.g. 12-W Live) mount to the rear of the housing



Premier Elite Large Polymer Housing (e.g. 24 & 48-W) mount to the inner wall of the housing



Premier Elite Metal Housing (e.g. 48.88 & 168) mount inside the top of the housing.



Recording Messages

The **Premier Elite Speech Module** can store four 10-second audio messages. Message 1 is allocated to channel 1 and message 2 is allocated to channel 2 etc. To record a message proceed as follows:

- Press and hold the [RECORD] button, then press and hold either [REC1] for message 1 or [REC2] for message 2 [REC3] for message 3 or [REC4] for message 4
 - Speak clearly into the microphone to record your message. During the recording process, the record indicator will illuminate.
 - To stop the recording process, release the record buttons. The recording process will automatically end after 10 seconds and the record indicator will go out.
- Repeat steps 1 to 3 for other messages, if required.

Programming the Control Panel

The control panel will then need to be programmed correctly in order for the **Premier Elite Speech Module** to function as expected:

Program Onboard Com2400 & Expansion Port

- Enter the engineer code (7)(7)(7)(7)
- Press (7) then (Yes) (UDL/Digi Options).
- Press (8) then (Yes) (Com Port Setup/Onboard Digicom).
- Press (No) (X) then (2) to select COM2400
- Press (Yes) (✓)
- Press (5) (Expansion Port), then (No) (X)
- Press (6) (Speech Module) then (Yes) (✓)

Digi Enabled & Dial All Numbers

If you have more than one communication device connected to the control panel, **Dial All Numbers** MUST be enabled; continuing from the previous

- Press (Menu) (☰) then (4) then (Yes) (✓) (Digi Options)
- Press (No) (X)
- Press (1) **Digi is Enabled** (E shown on Screen)
- Press (6) **Dial All Numbers** (A shown on screen)
- Press (Yes) (✓)

Program ARC's

- Press (Menu) (☰) then (3) then (Yes) (✓) (Program Digi)
- Press (Yes) (✓)
- Using the Scroll key select Which ARC you wish to use
- Press (No) (X) and scroll to change the **ARC protocol to Speech Module**
- Press (Yes) (✓) twice then (No) (X)
- In the **Pri. Tel No:** screen enter the telephone number you wish to dial.
- Press (Yes) (✓)
- In the **Sec. Tel No:** enter an additional telephone number if required.
- Press (Yes) (✓)

Program any additional ARC requirements to add additional telephone numbers.



NOTE Inserting an * after the number will force dialling of the next number even if the message is acknowledged.



NOTE The reporting options for the **Premier Elite Speech Module** are fixed and should not be changed. All types of alarm programmed for channels 1-4 will be reported for the selected Areas, however Restores will not.

Programming Digi Channels

The default Digi Channels on the panels are programmed as follows:

| Channel | Default |
|-----------|-----------------------|
| Channel 1 | All Areas Fire Alarm |
| Channel 2 | All Areas PA Alarm |
| Channel 3 | All Areas Guard Alarm |
| Channel 4 | All Areas Armed |

If you need to change the defaults proceed as follows:

- Enter the engineer code (7)(7)(7)(7)
- Press (6) then (Yes) (✓) (System Outputs).
- Press (2) then (Yes) (✓) for (Digi Channels).
- Press (No) (X) then use the (⬇) to select the output type
- Press (Yes) (✓) then use the (⬇) to select the output
- Press (Yes) (✓) then select the Areas
- Press (Yes) (✓) to accept
- Use the (⬇) to select the next Output and repeat the previous steps.



NOTE Only channels 1-4 are used by the **Premier Elite Speech Module**.

Testing the Premier Elite Speech Module

The procedure below shows how to perform a simple operational test for the **Premier Elite Speech Module**

- Press (Menu) (☰) twice then (7) (Yes) (✓) (UDL/Digi Options)
- Press (Yes) (✓) then (1) (Yes) (✓) (Start Test Call)
- Press (0) to start the test call. All communication devices on the system will carry out a test call.

If you have a telephone on the same line as the control panel, you can pick it up and listen to the message.

During the test call you may press (1), (2), (3) or (4) to switch between playing messages 1 2 3 & 4.

The person listening to the message on their telephone can acknowledge the call by pressing the [#] key. This will cause the panel to hang-up the call. If not acknowledged it will continue to dial all of the programmed numbers.

| | |
|---------------------------------------|--------------------|
| Supply Voltage: | 9 – 16VDC |
| Current Consumption (Standby): | 1mA |
| Current Consumption (Active): | 7mA |
| Messages/Channels: | 4 |
| Message Length: | 10 Seconds each |
| Dimensions: | 52mm x 30mm x 10mm |
| Packed Weight: | 25g |



Texecom declares that this product complies with the requirements of the following directives:

- 2004/108/EC EMC Directive
- 2006/95/EC LVD Directive
- 2011/65/EU RoHS Directive

The product therefore meets all the requirements to enable it to be CE marked.



WEEE Directive: 2012/19/EU (WEEE directive): Products marked with this symbol cannot be disposed of as unsorted municipal waste in the European Union. For proper recycling, return this product to your local supplier upon the purchase of equivalent new equipment, or dispose of it at designated collection points. For more information see: www.recyclethis.info.

This product is suitable for use in systems designed to comply with EN 50131-1, at Grade 2 and Environmental Class II.

Warranty

All Texecom products are designed for reliable, trouble-free operation. Quality is carefully monitored by extensive computerised testing. As a result, the **Premier Elite Speech Module** is covered by a two-year warranty against defects in material or workmanship.

Texecom

Texecom Limited, Bradwood Court, St. Crispin Way, Haslingden, Lancashire BB4 4PW, England.

Technical Support:

UK Customers Tel: 08456 300 600
(Calls charged at 3.36 pence per minute from a BT landline. Calls from other networks may vary.)
International Customers Tel: +44 1706 233875

Email: techsupport@texe.com

© Texecom Limited 2015

INS656-2

